

High Performance Automatic Tire Inflation System

- Saves fuel and extends tire life
- Superior reliability and durability
- Mechanic and DOT friendly
- Does not pressurize the wheel end
- Patented superior sealing technology
- Fits single, tandem, and tri-axle configurations

Innovative Tire & Mileage Systems

Aeris[®] by STEMCO is a high performance automatic tire inflation system that will keep your vehicles on the road while maximizing fuel economy and minimizing tread wear. The patented sealing system is designed for long life and low maintenance, and will not compromise the life of your wheel end components by pressurizing the wheelend.



B Y S T E M C O

Inflation | Information | Solutions

Integrated Sentinel

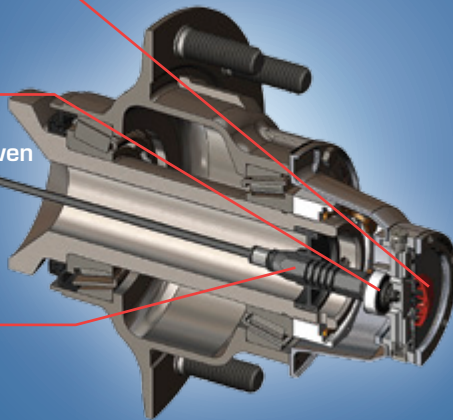
- Proven technology
- Standard with Aeris®

Patented Air Seal

- Face seal technology is rugged, reliable and proven
- Long life
- Low maintenance

Flexible Torque Shaft

- Isolates bearing and air seal from vibration
- Simplifies disassembly and reassembly for routine maintenance



PLATINUM PLUS 7
PERFORMANCE SYSTEM™
TIRE INFLATION

- Aeris® Automatic Tire Inflation System

- Guardian® HP or Discover® Seal
- Pro-Torq® Axle Fastener
- Sentinel® Hub Cap
- STEMCO® Bearings

**7 Year
Warranty**

Now get an industry best 7 year parts and labor warranty for your wheelend components by installing the Platinum Performance Plus System™ and the Aeris® high performance tire inflation system on your new trailers. Contact your participating trailer dealer or STEMCO sales manager to find out more about this outstanding package!

Making the Roadways Safer®

The Aeris® automatic tire inflation system, with its patented rotary seal design and performance engineered materials, maintains proper tire pressure and prevents premature tire failures. If a tire begins taking air, the Aeris® system warns the driver, allowing them to respond in a safe and proactive way to potential hazards before they cause further damage.

Maintaining lubrication in the wheelend prolongs the life of your wheelend components. The Aeris® system prevents pressurization of the wheelend, thus preventing premature component failure due to a lack of lubrication. In addition, the integrated rotary air union and flexible torque shaft make routine maintenance quick and easy, without worry of damaging the unit during reassembly.

Disconnecting and reconnecting hoses to check tire pressures can damage fittings and o-rings, reducing their ability to seal over time. Built in pressure check points on the hose fittings allow quick and easy access to tire pressures without disconnecting hoses. These and other standard features of the Aeris® system can make your vehicles safer and maximize uptime on the road.

STEMCO - USA
P.O. Box 1989 • Longview, TX 75606-1989
(903) 758-9981 • 1-800-527-8492 • FAX: 1-800-874-4297
www.stemco.com

STEMCO - Canada
5650 Timberlea Blvd. Unit B, Mississauga, ON L4W 4M6
(905) 206-9922 • 877-232-9111 • FAX: 877-244-4555

STEMCO - Australia
Unit 6 CNR Rookwood & Muir Roads • Yagoona NSW 2199
Phone: 011-61-2-8713-2502 • FAX: 011-61-2-9793-2544
ISO/TS 16949

STEMCO and Aeris by STEMCO are registered trademarks of STEMCO LP ©2016 STEMCO LP
Printed in the USA • Part No. 571-3183 • Rev. 9/16



A Higher Standard of Performance.™

an EnPro Industries company

www.stemco.com