

STEMCO New Low-Profile Electronic Latch

To: All Customers of STEMCO Products

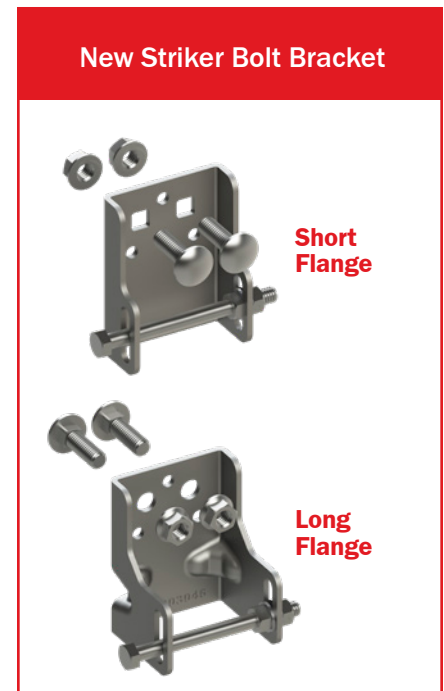
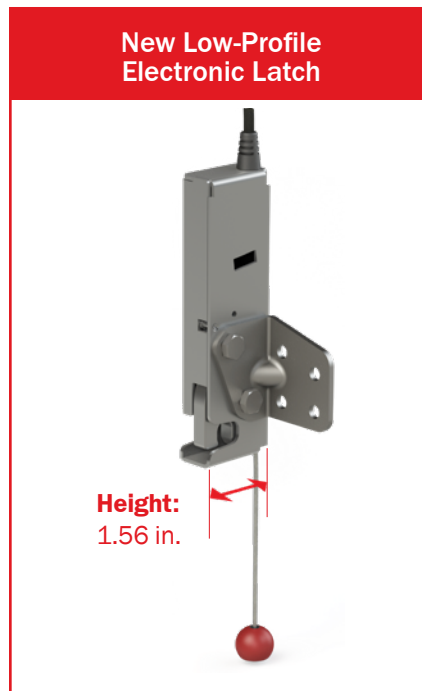
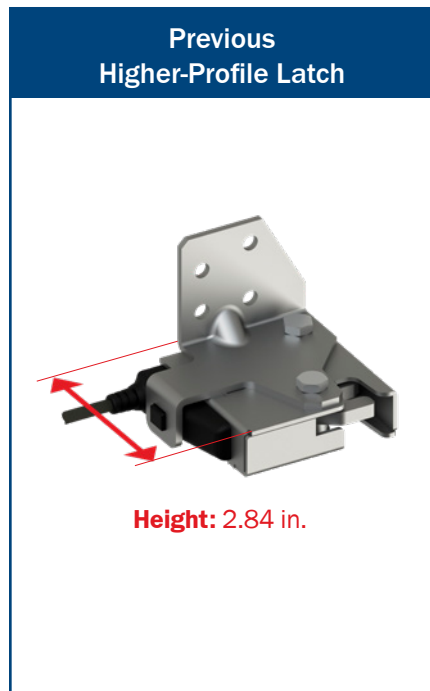
STEMCO is pleased to announce that all new AutoDeploy® units now ship with the new and improved Low-Profile Electronic Latch which has been reduced in height by over an inch. Please contact your STEMCO representative for more information.

New Low-Profile Electronic Latch Features:

- Customized product specifically designed for TrailerTail®
- Reduced stack-up height enables Wabash TrustLock Plus® swing doors to latch at the side of the trailer without extra chain links
- Ergonomic manual release
- Vertically mounted for better water drainage
- New simpler overmolded strain relief at cable entrance to housing

New Striker Bolt Bracket:

- New striker bolt bracket with vertical adjustment
- New bracket provides greater strength with a double flange supported bolt.
- For short flange version, carriage bolts must be reversed as can be seen below.
(The short flange is for specialty cases and allows lower stackup, such as Trident Slim)



Thank you for your continued support of STEMCO.