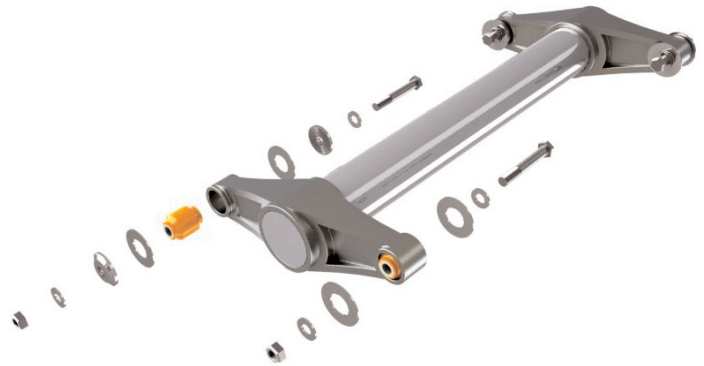



STEMCO GAFF Product Tip # 04

50032 Suspension Bushing Kit & 50034 Removal and Installation Tool

STEMCO GAFF is introducing the 50032 Suspension Bushing Kit to the field for the repair on the RHP Control Arm Suspension component. In addition the Tool Kit 50034, that facilitates the removal and installation of this kit.



50032



Control Arm Bushing Kit

OD	2 3/8 "
ID	7/8 "
LG	3 "
HD	80A

INCLUDES

- QTY 4 50031
- QTY 4 Bolt 7/8"-UNC x 6"G8
- QTY 2 Pivot Washer 3" x 7/8" x 1/2"
- QTY 4 Lock Nut 7/8" UNC
- QTY 8 Thrust Washer 7/8"
- QTY 8 Flat Washer 7/8"

TOOL 50034

50034



Tool R & I 50032

STEMCO GAFF recommends following the Removal and Installation Guide 01 577 9020 included with tool kit 50034.

STEMCO GAFF special formulated polyurethane performs exceptionally at maintaining alignment, transferring acceleration and braking forces, and providing stability and ride comfort.

STEMCO GAFF products provide superior mechanical properties, outstanding chemical resistance and improved design features.



The first step in using STEMCO Kaiser products is SAFETY FIRST SAFETY ALWAYS. Please take a moment to make sure these safety precautions are in place. Some components are heavy! For your protection wear safety shoes, safety glasses, safety gloves, use proper lifting techniques and secure the unit before work begins.